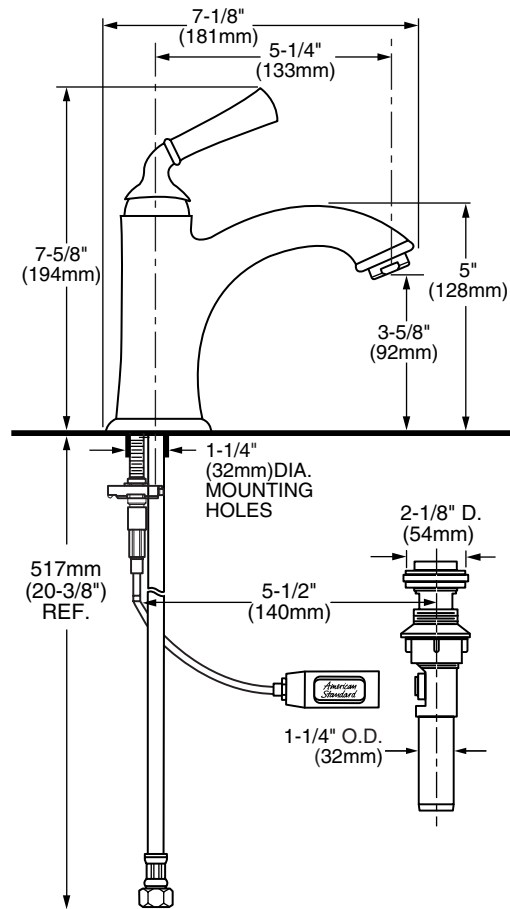




\*WaterSense approval pending

**MODEL NUMBER:**

- ☐ **7415.101 Single Control Lavatory**  
 Metal Speed Connect® Pop-up drain.  
 Metal Lever Handles.



**GENERAL DESCRIPTION:**

Cast brass body with metal lever handle. Washerless 28mm ceramic disc valve cartridge. Braided flexible supply hoses with 3/8" compression connectors. 20 inch (500mm) long flexible stainless steel drain cable is pre-assembled to spout. Metal Speed Connect® drain body with 1-1/4 inch (32mm) tail piece. 1.5 gpm/5.7L/min. maximum flow rate.

**PRODUCT FEATURES:**

**Brass Construction:** Durable. Easy to clean. Ideal for prolonged contact with water.

**Ceramic Disc Valve Cartridge:** Assures a lifetime of smooth handle operation and drip-free performance.

**Lead Free:** Faucet contains 0.25% total lead content by weighted average.

**Exclusive Speed Connect Metal Drain:**

- Fewer parts. Installs in less time.
- No adjustments required - seals the first time, every time.
- Flexible stainless steel cable - installs effortlessly in tight spaces.

**Choice of Finishes:** Wide range of durable finishes.

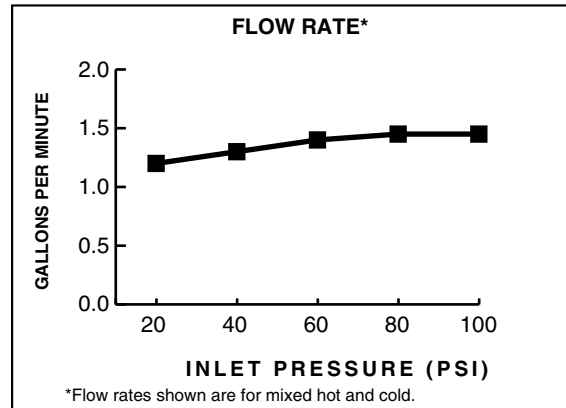
**SUGGESTED SPECIFICATION:**

Single control lavatory faucet shall feature a cast brass spout and metal lever handle. Shall also feature washerless ceramic disc valve cartridge. Shall also feature a metal drain body with stainless steel cable actuation. Fitting shall be American Standard Model # 7415.101.\_\_\_\_.


**CODES AND STANDARDS**

These products meet or exceed the following codes and standards:

- ANSI A117.1**
- ASME A112.18.1**
- CSA B 125.1**
- NSF 61/Section 9 and Annex G**



Product Number	Description	Finish Options			
		Polished Chrome	PVD Blackened Bronze	Oil Rubbed Bronze	PVD Satin Nickel
		002	068	224	295
7415.101	Portsmouth single control lavatory faucet.Metal Speed Connect® Pop-up drain.				

 Meets the American Disabilities Act Guidelines and **ANSI A117.1** Requirements for the physically challenged.